



Washable!

TITAN Mini Series

Trans-Industrial Technology Advanced Node

HL-WP

Dust & Waterproof Digital Scales

IP65



Stainless Steel Body



A&D ...Clearly a Better Value
A&D Company, Limited
<http://www.aandd.jp>



Food Service



Factory

Easy & simple to use for sanitary applications!

- Washable body IP65 (stainless steel body)
- Small-footprint
- 1/3000 high resolution
(HL-300WP, HL-3000WP & HL-3000LWP)
- Portable
(6 AA-type batteries, batteries not included)
- Stability indicator
- Tare function
- Auto power off
- AC adapter (optional)

Specifications

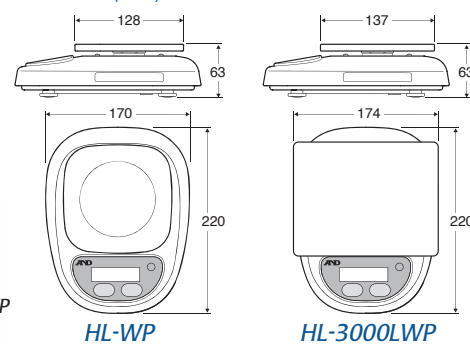
HL-WP	HL-300WP	HL-1000WP	HL-3000WP	HL-3000LWP
Capacity	300g	1000g	3000g	3000g
Resolution	0.1g	0.5g	1g	1g
Display	12mm height, 7 segment Liquid Crystal Display			
Display update	Approx. 4 times per second			
Pan size	128(W) x 128(D)mm 5.04(W) x 5.04(D)inches		174(W) x 137(D)mm 6.85(W) x 5.39(D)inches	
Dimensions	170(W) x 220(D) x 63(H)mm 6.68(W) x 8.64(D) x 2.50(H)inches		174(W) x 220(D) x 63(H)mm 6.8(W) x 8.6(D) x 2.50(H)inches	
Battery life (approx.)	Approx. 100 hours with manganese, 200 hours with alkaline			
Weight (approx.)	Approx. 870g		Approx. 950g	
Power	6 x R6P / LR6 / "AA" size batteries or AC adapter			

Specifications subject to change for improvement without notice.

Accessories

AX-TB125 AC Adapter AC200~240V 'C'plug
 AX-TB126 AC Adapter AC200~240V 'BF/S/no'plug
 AX-TB196 AC Adapter AC100V
 AX-TB202 AC Adapter AC120V

Dimensions (mm)



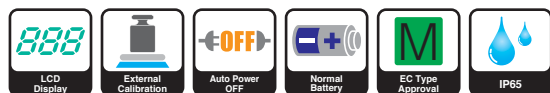
Model	Capacity & Resolution
HL-300WP	300g x 0.1g
HL-1000WP	1000g x 0.5g
HL-3000WP	3000g x 1g
HL-3000LWP	3000g x 1g



HL-WP



HL-3000LWP



TITAN Family

TITAN Compact Series
SK-WP
 Dust & Waterproof Digital Scales



Model	Capacity & Resolution
SK-1000WP	1000g x 0.5g
SK-2000WP	2000g x 1g
SK-5000WP	5000g x 2g
SK-5001WP	5000g x 1g
SK-10KWP	10kg x 0.005kg
SK-20KWP	20kg x 0.01kg

Pan size: 232(W)x192(D)mm

A&D ...Clearly a Better Value

A&D Company, Limited

3-23-14 Higashi-Ikebukuro, Toshima-ku, Tokyo 170-0013 JAPAN
 Telephone:[81](3) 5391-6132 Fax:[81](3) 5391-6148
 http://www.aandd.jp

A&D ENGINEERING, INC.

1756 Automation Parkway, San Jose, CA 95131 U.S.A.
 Telephone:[1](408) 263-5333 Fax:[1](408) 263-0119

A&D Australasia Pty Ltd.

32 Dew Street, Thebarton, South Australia 5031 AUSTRALIA
 Telephone:[61](8) 8301-8100 Fax:[61](8) 8352-7409

A&D INSTRUMENTS LTD.

Unit 24/26 Blacklands Way Abingdon Business Park,
 Abingdon, Oxon OX14 1DY UNITED KINGDOM
 Telephone:[44](1235) 550420 Fax:[44](1235) 550485

<German Sales Office>

Große Straße 13 b 22926 Ahrensburg GERMANY
 Telephone:[49](0) 4102 459230 Fax:[49](0) 4102 459231

A&D KOREA Limited

Manhattan Bldg. 8F, 36-2 Yoido-dong, Youngdeungpo-gu, Seoul, KOREA
 Telephone:[82](2) 780-4101 Fax:[82](2) 782-4280

A&D RUS CO., LTD.

Verenskaya str.17, Moscow, 121357 RUSSIA
 Telephone: [7] (495) 937-33-44 Fax: [7] (495) 937-55-66

A&D Instruments India Private Limited

509 Udyog Vihar Phase V
 Gurgaon-122 016, Haryana, INDIA
 Telephone: [91](124) 471-5555 Fax: [91](124) 471-5599